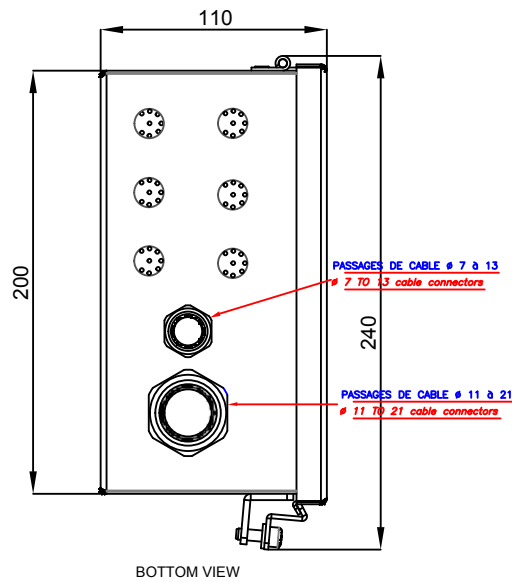
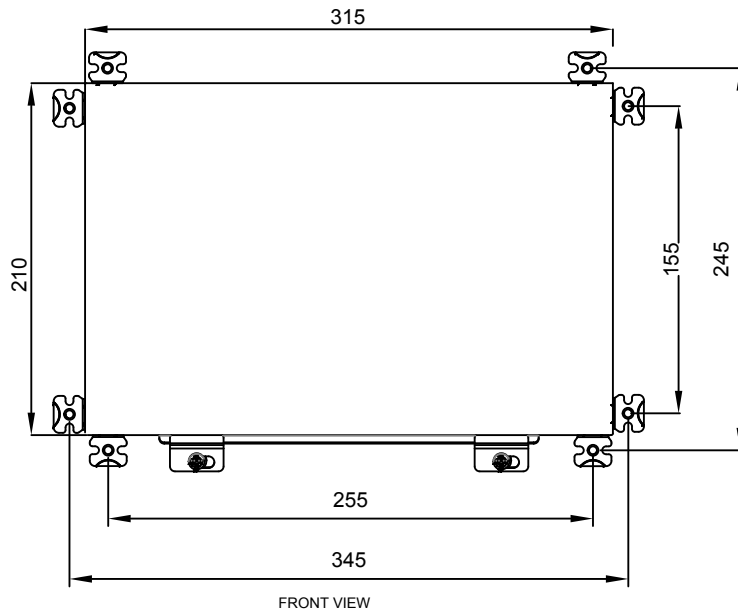


ALL DIMENSION ARE IN MM



Matériel : Inox ep. min. 1.5 mm
 Material : Stainless steel thickness min. 1.5 mm

This drawing is the property of OBSTA. This document cannot be reproduced, copied or communicated with third parties without the authorization of OBSTA. Ce document est la propriété d'OBSTA. Il ne peut être reproduit ou communiqué à des tiers sans son autorisation.

A	22/08/18	Rajouté Presse étoupe - retiré indice IP					
IND/REV	DATE	NATURE DE LA MODIFICATION / MODIFICATION					
OBSTA Reims Factory		Outline and mouting dimension for Power supply 113730L					
3, Impasse de la Blanchisserie BP 56 51052 REIMS CEDEX (France) Tel. 03.26.85.74.00 Fax. 03.26.85.74.30		CODE:			PLAN: DRAWING: C01851		A
		ECHELLE: SCALE:		MATIERE: MATERIAL:		ANNULE ET REMPLACE CANCELED AND REPLACED	
REPÈRE DESSIN REFERENCE DRAWING:	DESSINE PAR: DESIGNED BY:	DATE:	VERIFIE PAR: CHECKED BY:	DATE:	APPROUVE PAR: APPROVED BY:	DATE:	VISA:
.DWG	R.PELLEGRINO	16/05/18			H.BURGAUD	16/05/18	