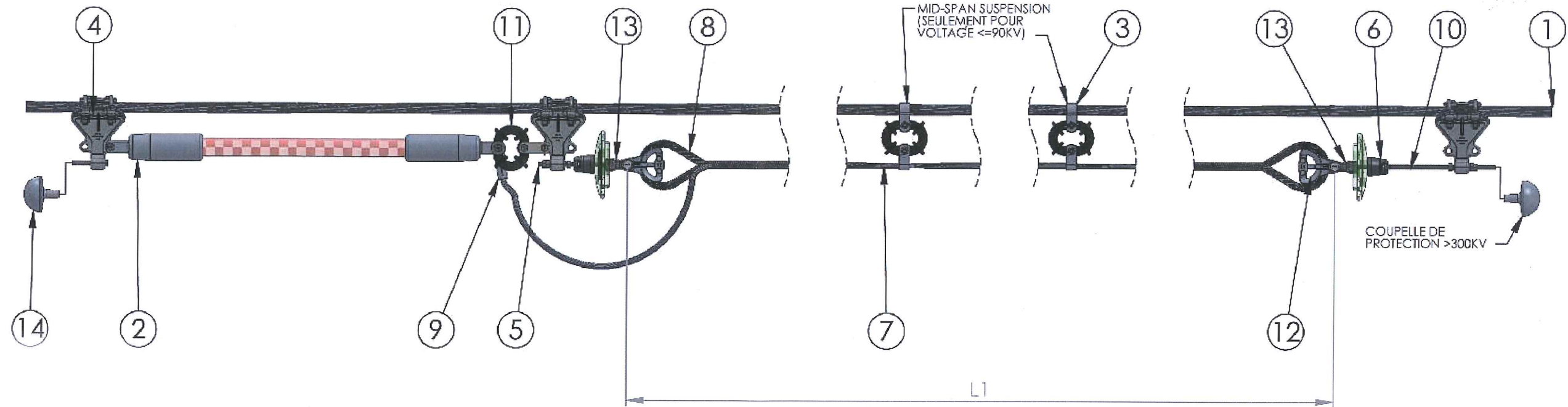


This drawing it covers are the property of OBSTA. This document cannot reproduced, copied or cummunicated with third parties without the authorization of OBSTA.
Ce document est la propriété d'OBSTA. Il ne peut être reproduit ou communiqué à des tiers sans l'autorisation écrite d'OBSTA.

ALL DIMENSIONS ARE IN MM



VOLTAGE RANGE (kV)	TYPE OF BEACON LIGHT	OBSTA CODE	OBSTA REFERENCE	CONDUCTION SECTION (mm ²)	CONDUCTOR Ø (mm)	L1 (m)	MASS (kg)	LUMINOUS INTENSITY(Cd)
63	BAL 63 2	100850	BALISOR-C-063-02	228-299	19-25	20	26	10
	BAL 63 4	100851	BALISOR-C-063-04	336-612	25-32			
90	BAL 90 2	100852	BALISOR-C-090-02	228-299	19-32	12.5	20	
	BAL 90 4	100853	BALISOR-C-090-04	366-612				
225	BAL 225 4	100854	BALISOR-C-225-04	1144-1600	25-32	7	18	
	BAL 225 10	100855	BALISOR-C-225-10	1144-1600	32-52			
400	BAL 400 4	100856	BALISOR-C-400-04	570-612	25-32	4	16	
	BAL 400 6	100857	BALISOR-C-400-06	851-865	32-52		19	
	BAL 400 10	100858	BALISOR-C-400-10	1144-1600				

ITEM NO.	DESCRIPTION/DÉSIGNATION	MATIÈRE	QTY.
1	CONDUCTOR/CONDUCTEUR (NOTSUPPLIED)	N/A	1
2	LAMPE OBSTA B33 / OBSTA B33 LAMP	N/A	1
3	MID-SPANSUSPENSION DAMPERRING / ANNEAU DE SUSPENSION INTERMEDIAIRE	ELASTOMER/ELASTOMERE	2
4	ALUMINIUM SUSPENSION CLAMP / PINCE DE SUSPENSION EN ALUMINIUM	ALLIAGE ALUMINIUM	3
5	BALL THREADED ROD 11 120	ACIER GALVANISE	1
6	GLASS INSULATOR 1508BF/110 / ISOLATEUR VERRE1508BF/110	VERRE	2
7	CONDUCTOR / CONDUCTEUR ASTER 148	N/A	1
8	ALUMINIUM DEAD END / ALUMINIUM IMPASSE	ALLIAGE ALUMINIUM	2
9	ALUMINIUM EARTH BOND LUG	ALLIAGE ALUMINIUM	1
10	BALL THREADED ROD 11300	ACIERG ALVANISE	1
11	DAMPERRING / ANNEAU D'AMORTISSEMENT	ELASTOMER/ELASTOMERE	1
12	THIMBLE CLEVIS 40KN	FONTE D'ALUMINIUM	2
13	SOCKET EYE R-11	FONTE GALVANISE	2
14	RIV PROTECTION CAPS / COUPELLE DE PROTECTION	ALLIAGE ALUMINIUM	2

IND/REV	DATE	NATURE DE LA MODIFICATION/MODIFICATIONS	
OBSTA Reims Factory 3, Impasse de la blanchisserie BP 56 51052 REIMS CEDEX (France) Tel.:+33 (0) 326 857 400		BALISOR OBSTA AVEC ACCESSOIRES ET ANTENNE PLP WARNING BEACON WITH ACCESSORIES OBSTA PLP	
CODE:		PLAN: DRAWING: CO1671	
ECHELLE: SCALE: NA	TOLERANCES: TOLERANCES: NA	MATIERE: MATERIAL: NA	ANNULE ET REMPLACE: CANCELED AND REPLACED: NA
DESSINE PAR: DESIGNED BY: V Lapauw	le: 27/01/17	APPROUVE PAR: APPROVED BY: XB	le: 27/01/17 VISA:

CO1671